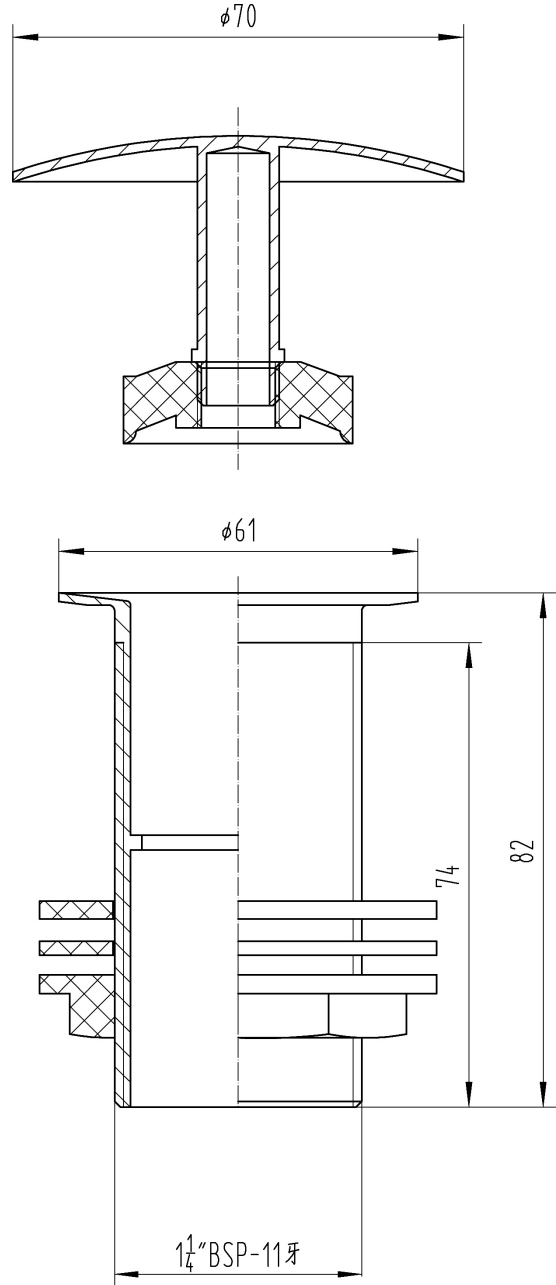


## CUSTOMER DATA SHEET - WASTES & EXTRAS

SALES CODE: EK305

DESCRIPTION: Free Running Basin Waste



### PRODUCT DIMENSIONS

Height (mm)	Width (mm)	Length (mm)	Depth (mm)	Nett Wgt Kg
82	70		70	0.29

### PACKAGING DIMENSIONS

Height (mm)	Width (mm)	Depth (mm)	Gross Wgt Kg
	65	105	0.29

### PACKAGING DATA

Box Colour	White Cardboard Box		
Box Qty	1	Label Colour	White Label
Label Size	100 x 50	Label Qty	2

### OUTER BOX DIMENSIONS (If Applicable)

Height (mm)	Width (mm)	Length (mm)	Depth (mm)	Gross Wgt Kg
Barcode	5055146130048			

### PRODUCT DETAILS

Country of Origin	China	CE Certification	N/A
Fitting Instruction	No	Colour/Finish	Chrome
Product Material	Brass	Product Diameter	70mm
Heating Element Wattage	Not Applicable	Connection Size	1 1/4"